



Stainless Steel Sinks & Accessories

200048

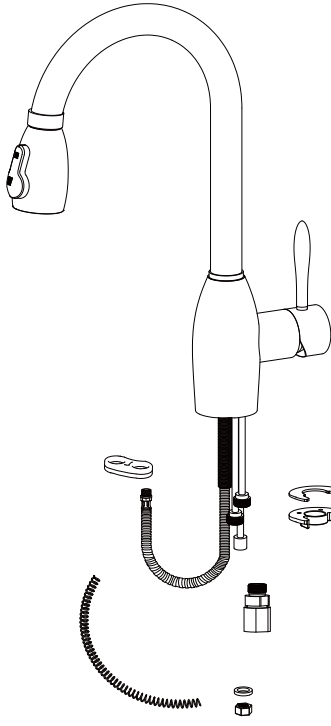
Address : 5171 Steeles Ave West, Toronto M2N 3G7

Installation Instruction

Single Handle Pull-down Kitchen Faucet

Before Your Installation

Check to make sure you have the following parts indicated below:



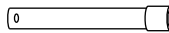
Tools You Will Need



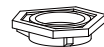
Adjustable wrench



Adjustable wrench



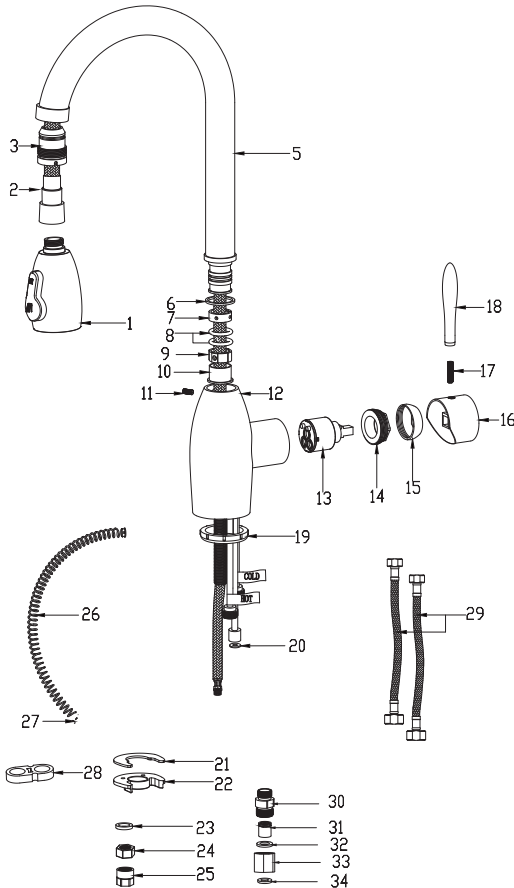
Spanner for body
(supplied)



Increase the high cushion

Replacement Parts

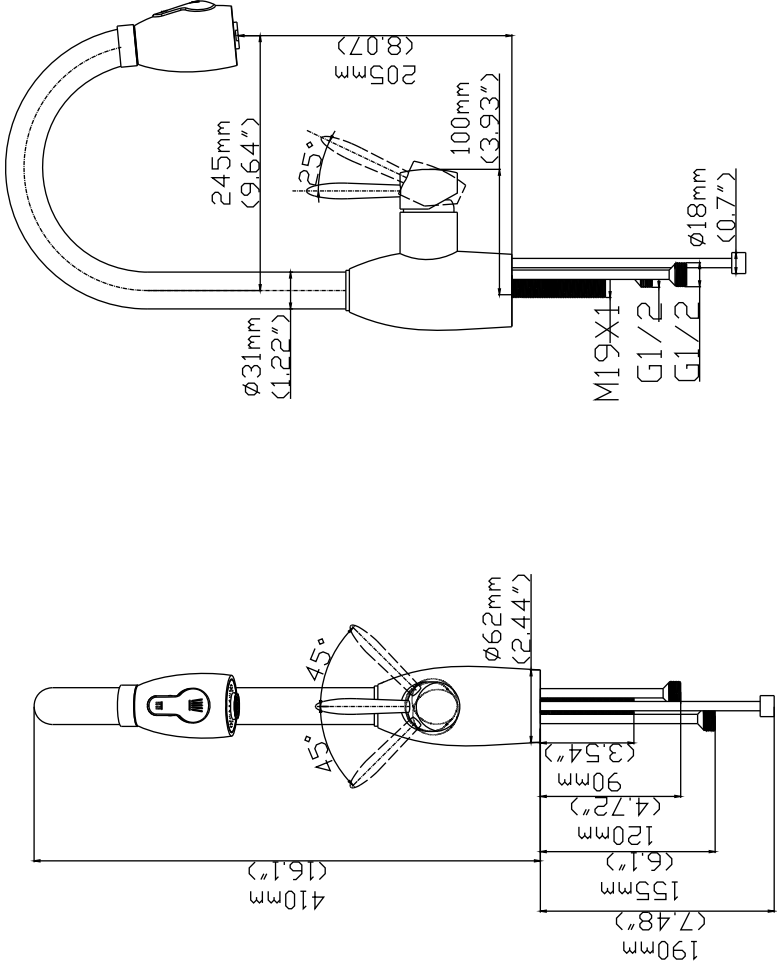
Keep this manual for ordering replacement parts.



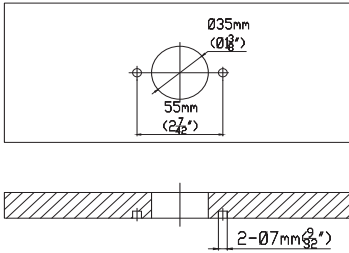
NO NAME

1. Sprayer
2. Black nylon hose
3. Locating sleeve
4. Steel ring
5. Spout
6. Anti-friction ring
7. Plastic retainer ring
8. O-ring
9. Plastic retainer ring
10. Noise silencer
11. Screw
12. Faucet body
13. Cartridge
14. Locking nut
15. Cartridge cover
16. Handle knob
17. M6 screw
18. Handle bar
19. Bottom rubber
20. Flat gasket
21. Locking rubber
22. Locking gasket
23. Locking gasket
24. Locking nut
25. Nut
26. Spring
27. Sleeve
28. Plastic stop collar
29. Hose
30. Sleeve nut
31. Check valve
32. Flat gasket
33. Sleeve
34. Flat gasket

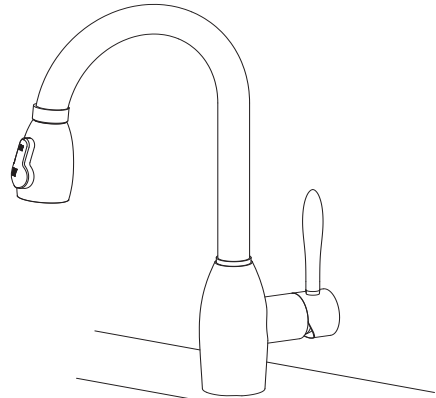
Product Dimension Drawing



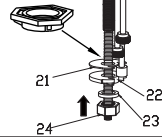
Faucet Installation Procedures



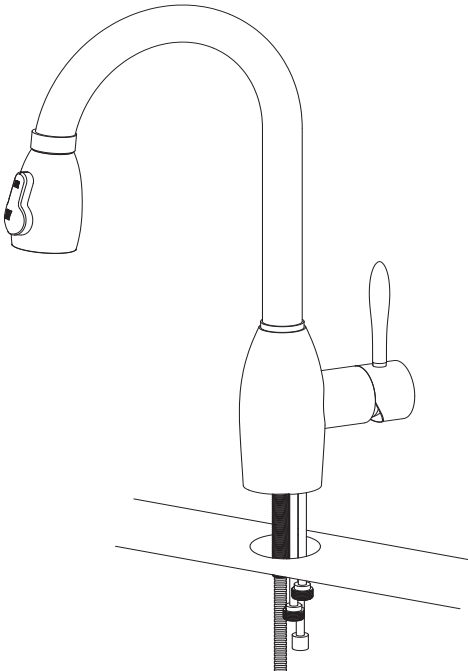
step ②



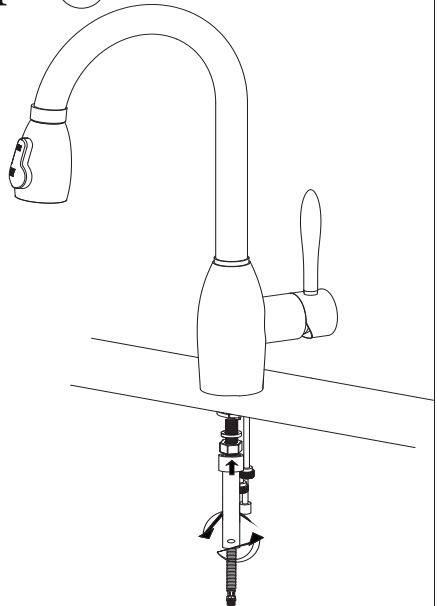
Add the part if the faucet is not firm on the worktop.



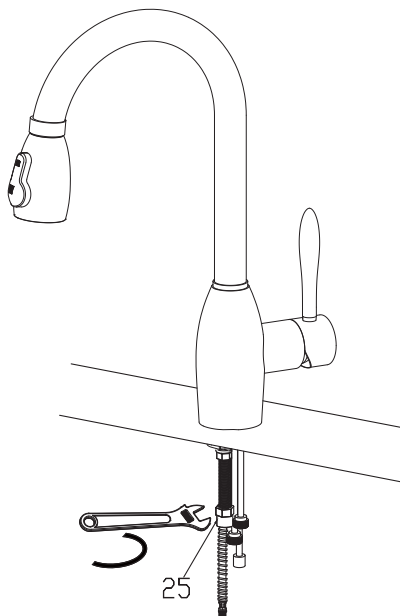
step ①



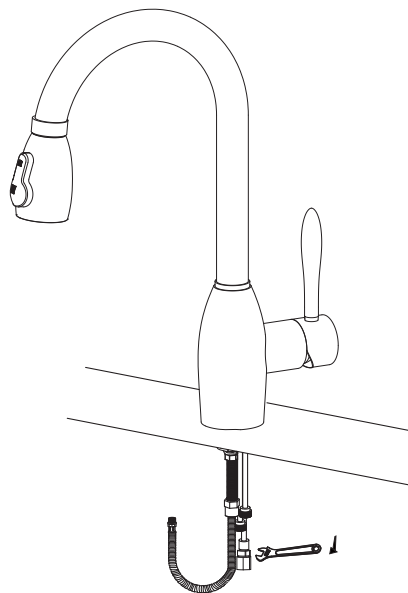
step ③



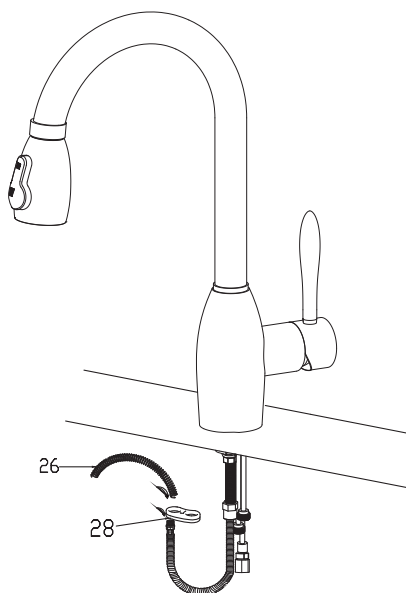
step ④



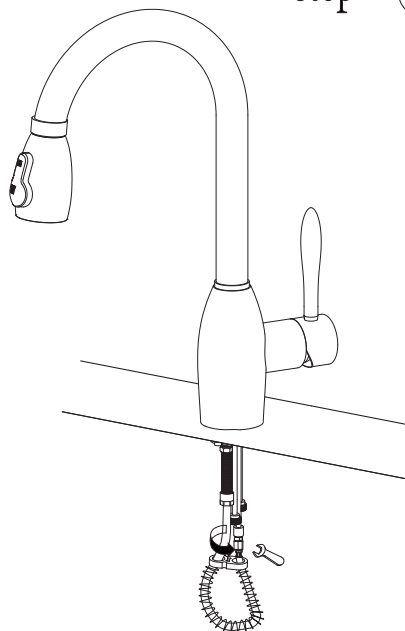
step ⑤



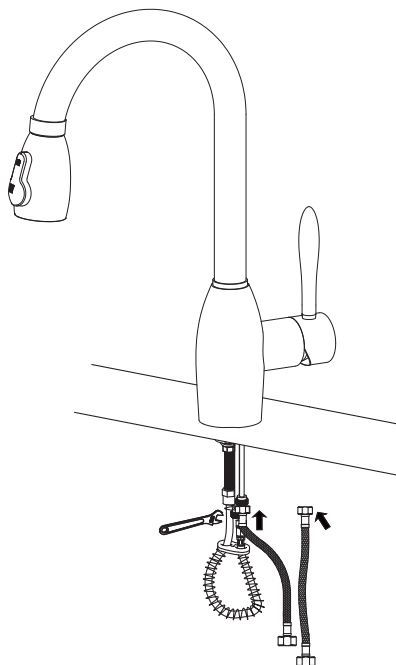
step ⑥



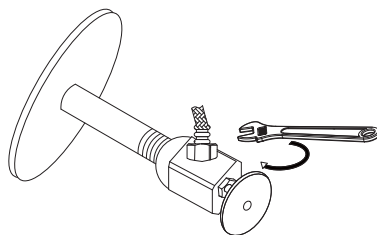
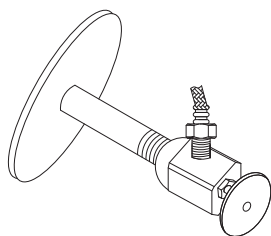
step ⑦



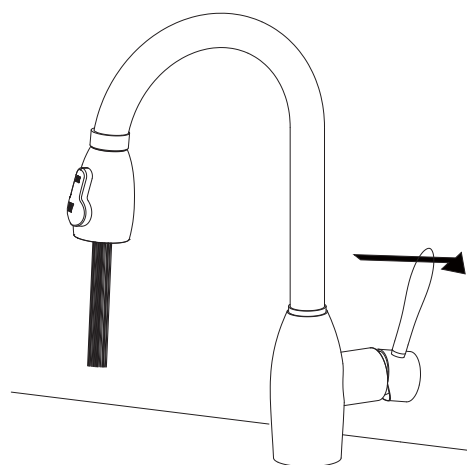
step ⑧



step ⑨



step ⑩



step ⑪

